

B SERIES ENCLOSURES NEMA 12 JIC LIFT OFF COVER WALL-MOUNT



B060604

Industry Standards

UL 50, Types 12 & 13
(6.00" x 6.00" x 4.00" & above)
UL 508, Types 12 & 13
(6.00" x 4.00" x 4.00" & smaller)
CSA Certified, Type 12
NEMA/EEMAC Type 12 & 13
JIC EL-1-71

 UL Files E23553, E64791

 CSA File LL66078

FEATURES-SPECIFICATIONS

Applications

The Hubbell Wiegmann B Series JIC box is a standard of the automotive industry but has wide application in other industries. The box incorporates a chain secured lift off cover and is designed to safeguard components against exposure to dust, dirt, oil, and water.

Construction

- Bodies and doors fabricated from 16 and 14 gauge steel
- Continuously welded seams ground smooth, less knockouts or holes

- Lids are sealed with closed cell oil resistant neoprene gasket
- External mounting plates, top and bottom of enclosure
- Weldnuts are provided on models 6.00" x 4.00" and larger to secure optional back panel
- External screw clamps are quick and easy to operate
- Lift off cover design. Chain holds cover to box when cover is removed
- Grounding provisions provided

Finish

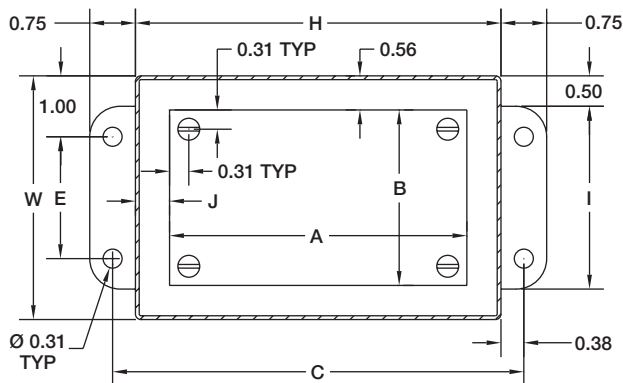
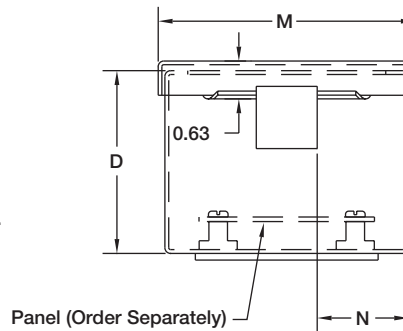
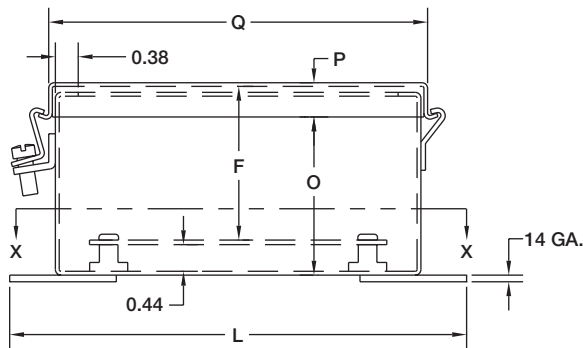
- ANSI 61 gray polyester powder inside and out over phosphatized surfaces
- Optional back panels are white polyester powder over phosphatized surfaces

Accessories

- Back panels (reference tables)
- See pages J1-J19

B SERIES JIC LIFT OFF COVER ENCLOSURES															
CATALOG NUMBER	BODY/DOOR STEEL GAUGE	ENCLOSURE SIZE H X W X D	BACK PANEL CATALOG NUMBER*	BACK PANEL SIZE A X B	MOUNTING C X E	OVERALL L X M	F	I	J	K	N	O	P	Q	
B040403	14/16	4.00x4.00x3.00 (102x102x76)	—	—	4.75x2.00 (121x51)	5.50x4.31 (140x109)	2.53 (64)	3.00 (76)	—	1.38 (35)	1.50 (38)	2.59 (66)	0.56 (14)	4.31 (110)	
B040404	14/16	4.00x4.00x4.00 (102x102x102)	—	—	4.75x2.00 (121x51)	5.50x4.31 (140x109)	3.53 (90)	3.00 (76)	—	1.38 (35)	1.50 (38)	3.59 (91)	0.56 (14)	4.31 (110)	
B060403	14/16	6.00x4.00x3.00 (152x102x76)	P0604	4.88x2.88 (124x73)	6.75x2.00 (171x51)	7.50x4.31 (191x109)	2.53 (64)	3.00 (76)	0.56 (14)	1.38 (35)	1.50 (38)	2.59 (66)	0.56 (14)	6.31 (160)	
B060404	14/16	6.00x4.00x4.00 (152x102x102)	P0604	4.88x2.88 (124x73)	6.75x2.00 (171x51)	7.50x4.31 (191x109)	3.53 (90)	3.00 (76)	0.56 (14)	1.38 (35)	1.50 (38)	3.59 (91)	0.56 (14)	6.31 (160)	
B060604	14/16	6.00x6.00x4.00 (152x152x102)	P0606	4.88x4.88 (124x124)	6.75x4.00 (171x102)	7.50x6.31 (191x160)	3.53 (90)	5.00 (127)	0.56 (14)	2.38 (60)	1.00 (25)	3.59 (91)	0.56 (14)	6.31 (160)	
B080603	14/16	8.00x6.00x3.50 (203x152x89)	P0806	6.88x4.88 (175x124)	8.75x4.00 (222x102)	9.50x6.31 (241x160)	3.03 (77)	5.00 (127)	0.56 (14)	2.38 (60)	1.00 (25)	3.09 (79)	0.56 (14)	8.31 (211)	
B080606	14/16	8.00x6.00x6.00 (203x152x152)	P0806	6.88x4.88 (175x124)	8.75x4.00 (222x102)	9.50x6.31 (241x160)	5.53 (141)	5.00 (127)	0.56 (14)	2.38 (60)	1.00 (25)	5.59 (142)	0.56 (14)	8.31 (211)	
B080804	14/16	8.00x8.00x4.00 (203x203x102)	P0808	6.88x6.88 (175x175)	8.75x6.00 (222x152)	9.50x8.31 (241x211)	3.53 (90)	7.00 (178)	0.56 (14)	1.00 (25)	1.00 (25)	3.59 (91)	0.56 (14)	8.31 (211)	
B100804	14/16	10.00x8.00x4.00 (254x203x102)	P1008	8.88x6.88 (226x175)	10.75x6.00 (273x152)	11.50x8.31 (292x211)	3.53 (90)	7.00 (178)	0.56 (14)	1.00 (25)	1.00 (25)	3.59 (91)	0.56 (14)	10.31 (262)	
B100806	14/16	10.00x8.00x6.00 (254x203x152)	P1008	8.88x6.88 (226x175)	10.75x6.00 (273x152)	11.50x8.31 (292x211)	5.53 (141)	7.00 (178)	0.56 (14)	1.00 (25)	1.00 (25)	5.59 (142)	0.56 (14)	10.31 (262)	
B121005	14/16	12.00x10.00x5.00 (305x254x127)	P1210	10.88x8.88 (276x226)	12.75x8.00 (324x203)	13.50x10.31 (343x262)	4.53 (115)	9.00 (229)	0.56 (14)	1.00 (25)	1.00 (25)	4.59 (117)	0.56 (14)	12.31 (313)	
B121206	14/16	12.00x12.00x6.00 (305x305x152)	P1212	10.88x10.88 (276x276)	12.75x10.00 (324x254)	13.50x12.31 (343x313)	5.53 (141)	11.00 (279)	0.56 (14)	1.00 (25)	1.00 (25)	5.59 (142)	0.56 (14)	12.31 (313)	
B141206	14/16	14.00x12.00x6.00 (356x305x152)	P1412	12.88x10.88 (327x276)	14.75x10.00 (375x254)	15.50x12.31 (394x313)	5.53 (141)	11.00 (279)	0.56 (14)	1.00 (25)	1.00 (25)	5.59 (142)	0.56 (14)	14.31 (364)	
B161406	14/16	16.00x14.00x6.00 (406x356x152)	P1614	14.88x12.88 (378x327)	16.75x12.00 (425x305)	17.50x14.31 (445x363)	5.53 (141)	13.00 (330)	0.56 (14)	1.00 (25)	1.00 (25)	5.59 (142)	0.56 (14)	16.31 (414)	

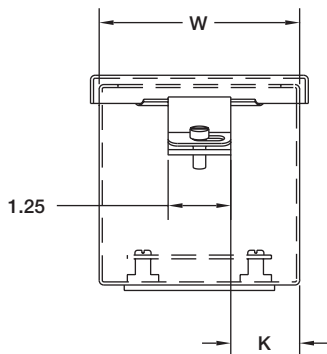
*Back panels must be ordered separately.



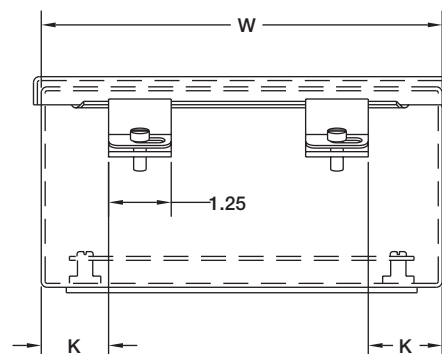
SECTION X-X

Notes:

1. Panels are 14 Ga. Steel.
2. Panel screws are #10-32 Pan Head.
3. Two clamps are used if $W = 8"$ or more.
4. Chain is supplied but not shown.



VIEW SHOWING CLAMP POSITION
WHEN "W" IS LESS THAN 8"



VIEW SHOWING CLAMP POSITION
WHEN "W" EQUALS 8" OR MORE



P0808

FEATURES-SPECIFICATIONS

Description

- 14 gauge (carbon and stainless)
- White polyester powder finish on steel panels
- Aluminum panels are 5052-H32 aluminum alloy, .080-inch thick
- Panels fit the following enclosures:
 - B
 - BCH
 - BN4
 - BN4CH
 - BN4SS
 - BN4CHSS
 - BN4AL
 - BN4CHAL

BACK PANELS FOR JIC ENCLOSURES			
CATALOG NUMBER			PANEL SIZE A X B
PAINTED STEEL (WHITE)	304 STAINLESS STEEL	ALUMINUM	
P0604	P0604SS	P0604AL	4.88x2.88 (124x73)
P0606	P0606SS	P0606AL	4.88x4.88 (124x124)
P0806	P0806SS	P0806AL	6.88x4.88 (175x124)
P0808	—	—	6.88x6.88 (175x175)
P1008	P1008SS	P1008AL	8.88x6.88 (226x175)
P1010	—	—	8.88x8.88 (226x226)
P1206	—	—	10.88x4.88 (276x124)
P1210	P1210SS	P1210AL	10.88x8.88 (276x226)
P1212	P1212SS	—	10.88x10.88 (276x276)
P1408	—	—	12.88x6.88 (327x175)
P1412	P1412SS	P1412AL	12.88x10.88 (327x276)
P1610	—	—	14.88x8.88 (378x226)
P1614	P1614SS	P1614AL	14.88x12.88 (378x327)

